



## **MINIRAIL**

Profiled miniature guideway



**Table of Contents**

<b>1 Product overview and technical informations</b>	
MINIRAIL – a range of high-precision products	2
MINIRAIL – overview accuracy classes:	3
MINIRAIL – overview preload categories	3
MINIRAIL – carriage replacement warranty	3
<b>2 MINIRAIL – Technical highlights</b>	
Accelerations	4
Lubrication	4
Ball retention	5
Protection against pollution	5
Materials	6
Vacuum capacity	6
Packaging	6
Smoothness and displacement force	7
Clamping element for safety purposes	7
<b>3 Technical Data</b>	
Accuracy classes	8
Running accuracy	8
Preload classes V0, V1	8
Rail lengths	9
Tolerances for rail lengths and fixing holes	9
Lubrication	10
Lubrication with grease	10
Lubrication with oil	10
Re-lubrication	10
Permissible speeds and accelerations	11
Permissible operating temperatures	11
Materials	11
Dimension table, loading capacities	12/13
Accessories and options	14
Plastic plugs	14
Multi-part rails (ZG)	14
<b>4 Sizing and installation guidelines</b>	
Dynamic loading capacity C	15
Tightening torques for rails and carriages	16
Configuration of the lateral location sides	17
Configuration of assembly surfaces	17
Geometrical and position accuracy of the support surfaces	18
Parallelism tolerances of the locating surfaces	19
Mounting instructions	19
As delivered condition	19
Transportation and intermediate storage	19
<b>5 Ordering information MINIRAIL</b>	20

## MINIRAIL - a range of high-precision guideways

MINIRAIL represents the latest generation of miniature guideways for sophisticated applications. They are extremely robust, and their smooth running, precision, and reliability are demonstrated in every application.

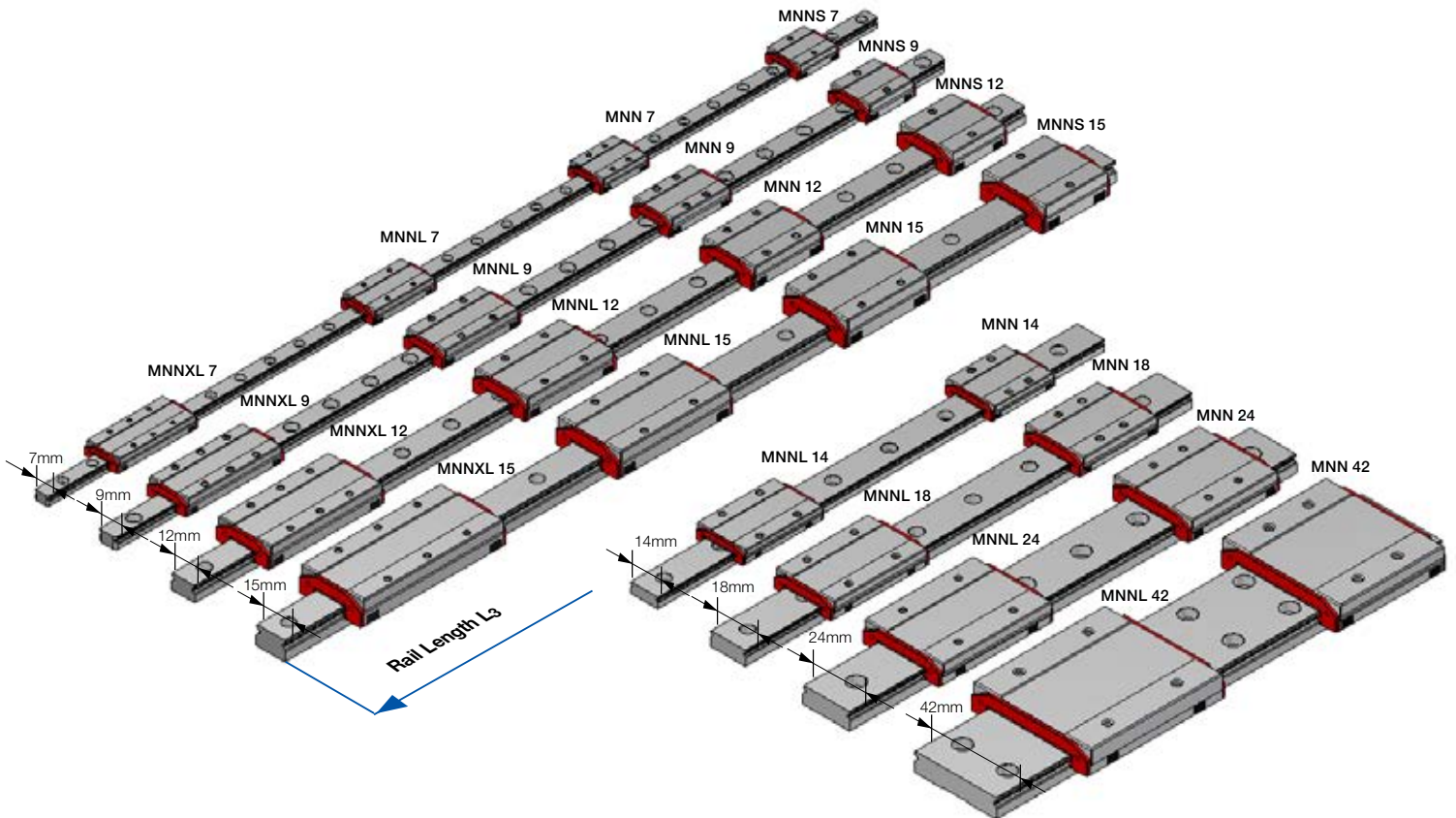
The design, material selection, and surface finish of the recirculation element and ball entry zone guarantee low pulsation and therefore a smooth ride.

### Rail Length L<sub>3</sub>

Our manufacturing know-how supports high-precision manufacturing of rails up to 1000 mm in length, which can be offered in graded lengths.

The **range** includes eight rail widths. The following carriage sizes are available to select from:

<b>Standard, short</b>	MNNS 7	MNNS 9	MNNS 12	MNNS 15
<b>Standard</b>	MNN 7	MNN 9	MNN 12	MNN 15
<b>Standard, long</b>	MNNL 7	MNNL 9	MNNL 12	MNNL 15
<b>Standard, x-long</b>	MNNXL 7	MNNXL 9	MNNXL 12	MNNXL 15
<b>Wide</b>	MNN 14	MNN 18	MNN 24	MNN 42
<b>Wide, long</b>	MNNL 14	MNNL 18	MNNL 24	MNNL 42

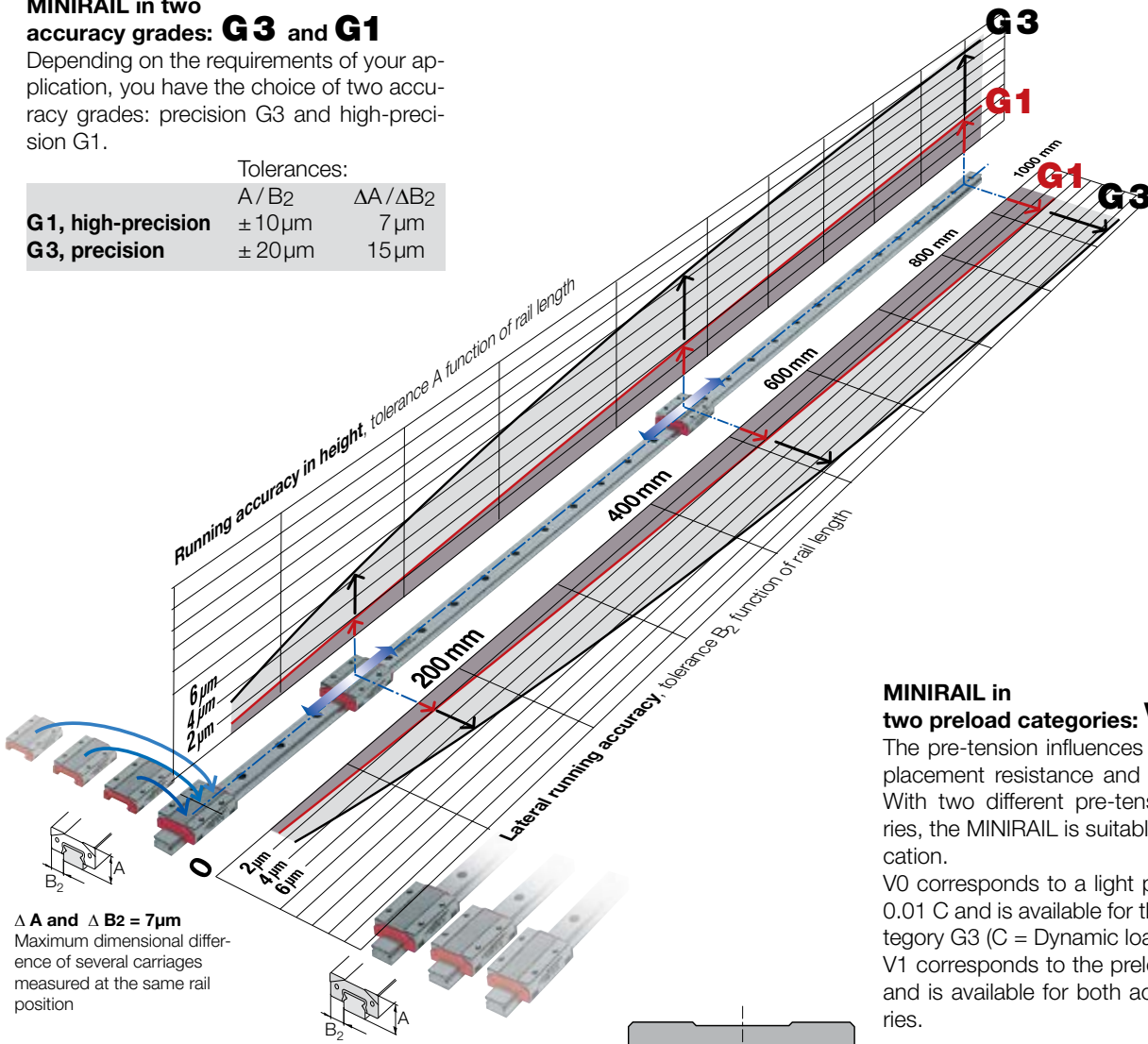


**MINIRAIL in two accuracy grades: G3 and G1**

Depending on the requirements of your application, you have the choice of two accuracy grades: precision G3 and high-precision G1.

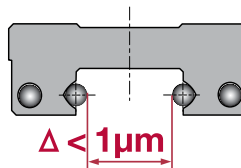
Tolerances:

	A / B <sub>2</sub>	ΔA / ΔB <sub>2</sub>
<b>G 1, high-precision</b>	± 10 μm	7 μm
<b>G 3, precision</b>	± 20 μm	15 μm



**Δ A and Δ B<sub>2</sub> = 7 μm**  
Maximum dimensional difference of several carriages measured at the same rail position

**A and B<sub>2</sub> = ± 10 μm**  
Maximum dimensional difference measured on several MINIRAIL systems



**μm - accuracy**

Our manufacturing control of this precise dimension is decisive for the complete interchangeability of the carriages.

**MINIRAIL in two preload categories: V0 and V1**

The pre-tension influences the rigidity, displacement resistance and service lifetime. With two different pre-tensioning categories, the MINIRAIL is suitable for your application.

V0 corresponds to a light preload of up to 0.01 C and is available for the accuracy category G3 (C = Dynamic load).

V1 corresponds to the preload 0 to 0.03 C and is available for both accuracy categories.

**MINIRAIL Carriage interchangeability guarantee**

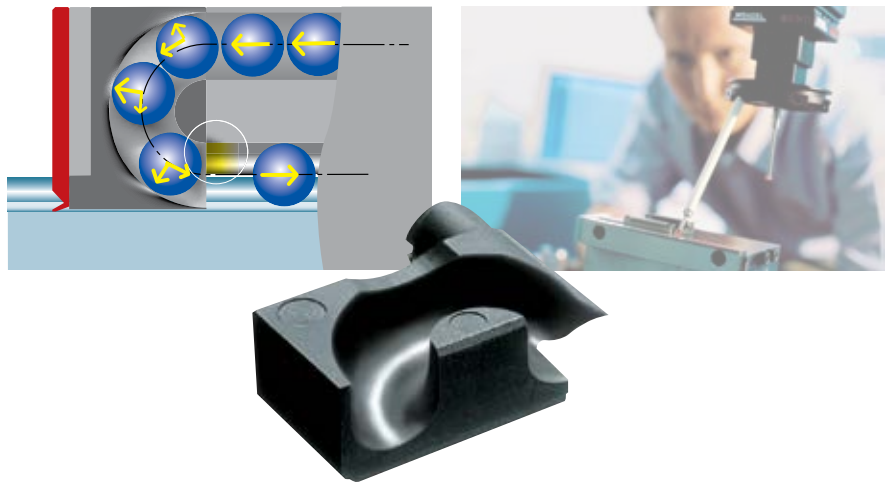
The carriages are manufactured with high precision and are completely interchangeable. This makes a high degree of flexibility with respect to operations planning, stocking and assembly. As a result of the interchangeability, additional carriages can be installed onto an existing rail.

## MINIRAIL – Technical highlights

2

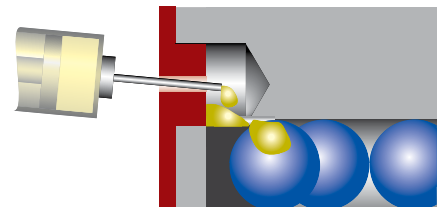
### High accelerations of up to 300 m/s<sup>2</sup>

The recirculation element plays a crucial role in withstanding the constantly increasing acceleration values. For this reason, SCHNEEBERGER uses a plastic material that is capable of enduring very high loads. The ingenious shape and the smooth surfaces of the recirculation element are designed with high levels of centrifugal force in mind.



### Direct lubrication

Two lubrication bores in each front plate allow the direct lubrication on the ball recirculation system.



**Ball retention device for easy handling**

If a carriage is removed from the rail or is being prepared for installation, the balls are always retained in the carriage by a special ball retaining device. This makes handling significantly easier and is prerequisite for quickly changing the carriages.

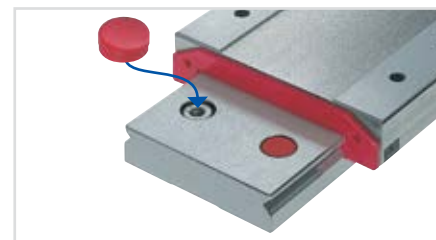


**Protection against dirt**

To obtain quietness and extended life, rail and carriage assemblies require clean running surfaces - even under unfavorable conditions. Therefore our MINIRAIL carriages are equipped with rail-wiping, contoured front plates. Should the protective - and wiping function of the front plates not be required, the front plates can be removed easily. As a result, the displacement resistance is reduced significantly.



Plastic plugs in the rail mounting holes prevent the accumulation of any dirt.



Tight clearances between the carriage and rail prevent dirt penetration.





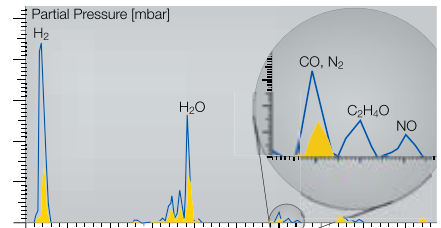
### High-grade materials

All rails and carriages are manufactured from corrosion-resistant, through-hardened steel and are suitable for utilization in the most diverse applications.



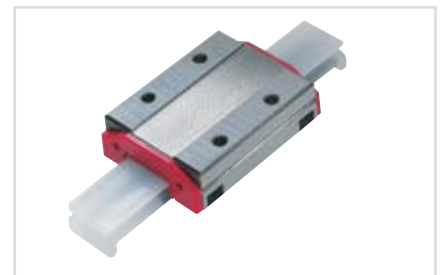
### Vacuum capacity

MINIRAIL can be operated in high vacuum without any wiper (max.  $10^{-7}$  mbar).



### Protective packaging

Carriages and rails are packed carefully and ready for installation. In the process MINIRAIL carriages are shipped on a protective rail, in order to prevent any impairment by dirt or debris.





**High smoothness and low displacement force**

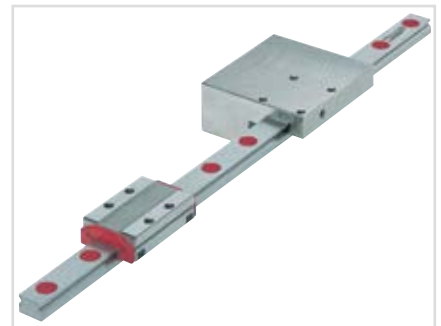
The precise fine grinding of the ball entry position on the running track is crucial to the operational quietness and service life, especially in the case of carriages with preload. Here we have indeed produced our best work.



**Clamping element for safety purposes**

The clamping element has been developed especially for MINIRAIL. In normal operation, the clamping element is maintained in an open position by compressed air, and in the case of an electric power failure, the spring-force blocks all movement for operational safety.

[www.zimmer-gmbh.de](http://www.zimmer-gmbh.de)



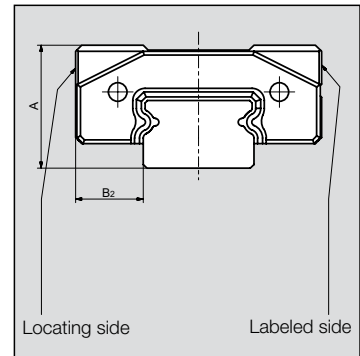
### 3 Technical Data

#### Accuracy classes

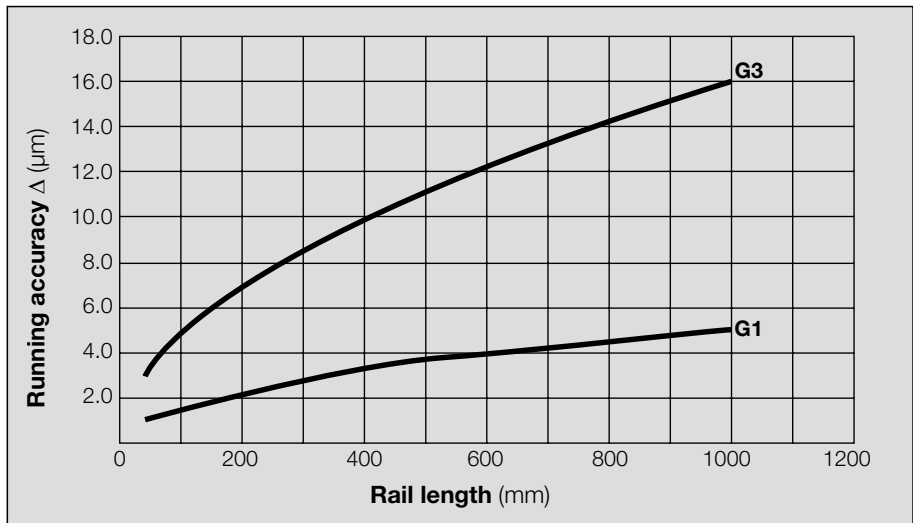
The MINIRAIL guideways are available in two accuracy classes.

Accuracy class	Tolerances	
	<sup>1</sup> A and B <sub>2</sub>	<sup>2</sup> Δ A and ΔB <sub>2</sub>
<b>G1</b>	± 10 μm	7 μm
<b>G3</b>	± 20 μm	15 μm

<sup>1</sup> Measuring referring to the center of the carriage  
<sup>2</sup> Dimension differences between two or more carriages measured at the middle of each carriage (mean value of both supports) and at the same rail position



#### Running accuracy



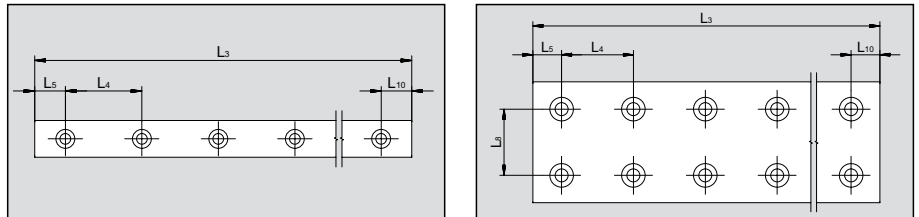
#### Preload classes V0 and V1

Preloading increases the rigidity of the guideway but also affects operational life and increases translation resistance. The MINIRAIL system is available in two preload classes to address specific application requirements. The rail up to determines the preload classes.

Preload class	Preload	Accuracy class
<b>V0</b>	near clearance to 0.01 · C	G3
<b>V1</b>	0 to 0.03 · C	G1, G3

C = Dynamic loading capacity (see page 13)

## Rail lengths



Standard rail lengths $L_3$ (length in mm)					
Size	$L_4$	$L_5, L_{10}$	$L_8$	$L_3$	Max $L_3$
7	15	5	–	40, 55, 70, 85, ...	1000
9	20	7.5	–	55, 75, 95, 115, ...	995
12	25	10	–	70, 95, 120, 145, ...	995
15	40	15	–	70, 110, 150, 190, ...	990
14	30	10	–	80, 110, 140, 170, ...	980
18	30	10	–	80, 110, 140, 170, ...	980
24	40	15	–	110, 150, 190, 230, ...	990
42	40	15	23	110, 150, 190, 230, ...	990

### Custom rail lengths

Other rail lengths are available up to the maximum rail lengths above and are calculated according to the following formula:

$$L_3 = (n-1) \cdot L_4 + L_5 + L_{10} \quad n = \text{number of fixing holes}$$

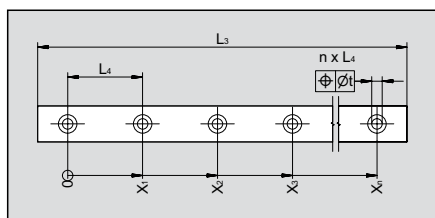
The following minimum and maximum values should be maintained for the starting hole pitch  $L_5$  and the end hole pitch  $L_{10}$ .

Minimum and maximum starting and end hole pitch $L_5, L_{10}$ (lengths in mm)								
Size	7	9	12	15	14	18	24	42
$L_5, L_{10}$ minimum	4	5	5	5	5	5	6	6
$L_5, L_{10}$ maximum	11	15	20	35	25	25	34	34

## Tolerances for rail lengths and fixing holes

The position tolerance of the attaching holes and the length tolerance is:

Rail	$L_3, X_n \leq 300$ mm	$L_3, X_n > 300$ mm
t (mm)	0.3	$0.001 \cdot X_n$
$L_3$	$\pm 0.3$	$\pm 0.001 \cdot L_3$



## Lubrication

The front plates include two lubrication holes to allow independent lubrication for the right and left side of the carriage. This ensures that all tracks of the carriage are provided with lubricant, in all installation orientations.

At delivery the carriages are slightly oiled. Prior to operation the carriages must be lubricated! Subsequent lubrication depends upon environmental conditions as well as the nature and type of the load. Guarantees regarding subsequent lubrication intervals can only be provided through the user's own tests and experience. In all cases, the recommendations provided by the lubricant manufacturer must be followed.

For lubrication with oil, SCHNEEBERGER recommends mineral oil CLP (DIN 51517) or HLP (DIN 51524) in the viscosity range of ISO VG32 to ISO VG150 in accordance with DIN 51519.

For lubrication with grease, SCHNEEBERGER recommends grease KP2K or KP1K in accordance with DIN 51825.

A re-lubrication set with an appropriate oil can be ordered at SCHNEEBERGER with the ordering code MNW.



## Lubrication with grease

During the lubrication the carriages have to be moved on the rail in order to distribute the lubricant.

Quantity of grease in cm <sup>3</sup>							
<b>MNNS 7</b>	<b>MNNS 9</b>	<b>MNNS 12</b>	<b>MNNS 15</b>				
0.03	0.05	0.09	0.16				
<b>MNN 7</b>	<b>MNN 9</b>	<b>MNN 12</b>	<b>MNN 15</b>	<b>MNN 14</b>	<b>MNN 18</b>	<b>MNN 24</b>	<b>MNN 42</b>
0.04	0.09	0.15	0.25	0.05	0.11	0.20	0.33
<b>MNNL 7</b>	<b>MNNL 9</b>	<b>MNNL 12</b>	<b>MNNL 15</b>	<b>MNNL 14</b>	<b>MNNL 18</b>	<b>MNNL 24</b>	<b>MNNL 42</b>
0.05	0.11	0.20	0.35	0.07	0.14	0.26	0.45
<b>MNNXL 7</b>	<b>MNNXL 9</b>	<b>MNNXL 12</b>	<b>MNNXL 15</b>				
0.07	0.14	0.26	0.45				

## Lubrication with oil

During the lubrication the carriages have to be moved on the rail in order to distribute the lubricant.

## Re-lubrication

### Guideline values based on the following assumption:

- Load ratio C/P\* = 10
  - Speed of 1 m/s
  - Stroke of 150 mm
- Re-lubrication interval = 3000 km

\*C = dynamic loading capacity / P = equivalent force

**Permissible speeds  
and accelerations**

General applications under normal operating conditions:

Speeds up to	5 m/s
Accelerations up to	300 m/s <sup>2</sup>

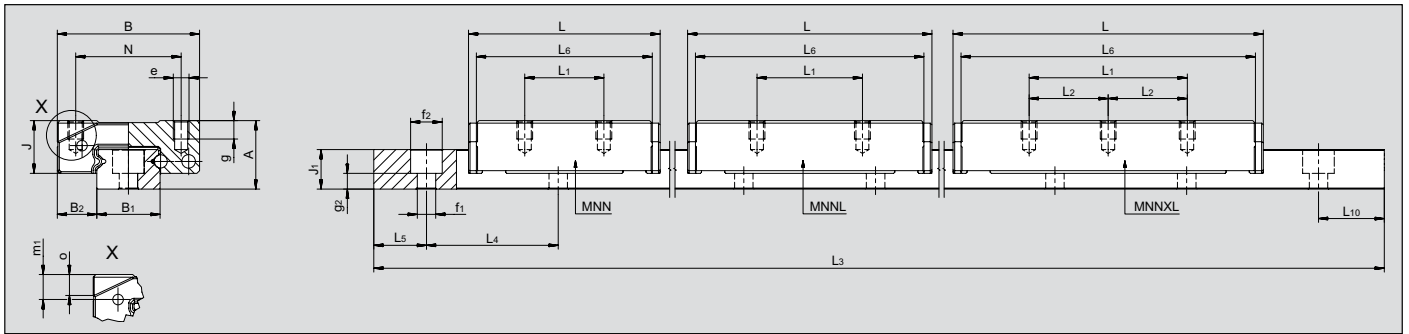
**Permissible operating  
temperatures**

MINIRAIL guideways can be used at operating temperatures between -40°C and +80°C. Short term temperatures up to +120°C are permissible.

**Materials**

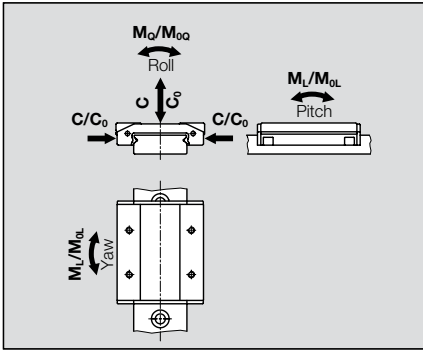
All steel parts are made from through hardened stainless steel. Plastic components are injection-molded using POM and TPE.

Types: 7, 9, 12, 15, 14, 18, 24



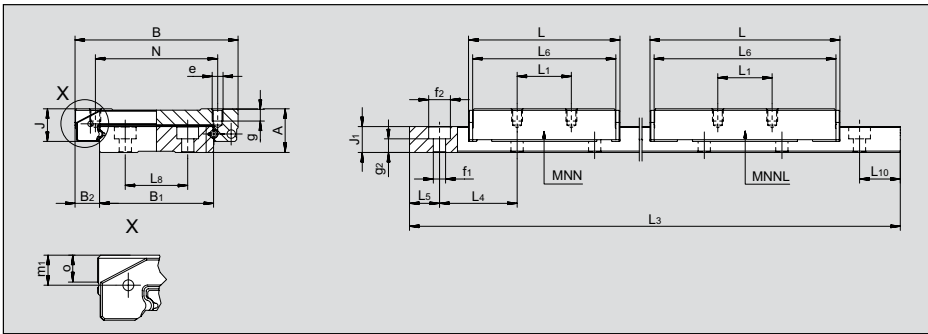
Dimension table, loading capacities

Type		Dimensions (mm)																					
Rail	Carriage	A	B	B <sub>1</sub>	B <sub>2</sub>	J	J <sub>1</sub>	L	L <sub>1</sub>	L <sub>2</sub>	L <sub>4</sub>	L <sub>5</sub> /L <sub>10</sub>	L <sub>6</sub>	L <sub>8</sub>	N	e	f <sub>1</sub>	f <sub>2</sub>	g	g <sub>2</sub>	m <sub>1</sub>	o	
MN 7	MNNS 7	8	17	7	5	6.5	4.5	18.6	-	-	15	5	16.1	-	12	M2	2.4	4.2	2.5	2.2	3.1	2.5	
	MNN 7							24.6	8	-			22.1										
	MNNL 7							32.1	13	-			29.6										
	MNNXL 7							41.1	20	10			38.6										
MN 9	MNNS 9	10	20	9	5.5	8	5.5	22	-	-	20	7.5	19	-	15	M3	3.5	6	3	2	3.8	3.1	
	MNN 9							32	10	-			29										
	MNNL 9							40	16	-			37										
	MNNXL 9							50	26	13			47										
MN 12	MNNS 12	13	27	12	7.5	10	7.5	23.9	-	-	25	10	20.9	-	20	M3	3.5	6	3.5	3	4.75	3.9	
	MNN 12							36.4	15	-			33.4										
	MNNL 12							46.4	20	-			43.4										
	MNNXL 12							58.9	30	15			55.9										
MN 15	MNNS 15	16	32	15	8.5	12	9.5	31.7	-	-	40	15	28.7	-	25	M3	3.5	6	4	5	5.55	4.9	
	MNN 15							43.7	0	-			40.7										
	MNNL 15							58.7	25	-			55.7										
	MNNXL 15							73.7	40	20			70.7										
MN 14	MNN 14	9	25	14	5.5	6.8	5.2	32.1	10	-	30	10	29.6	-	19	M3	3.5	6	2.8	2	3.3	2.2	
	MNNL 14							41.1	19	-			38.6										
MN 18	MNN 18	12	30	18	6	8.5	7	40	12	-	30	10	37	-	21	M3	3.5	6	3	2.5	4.3	3.1	
	MNNL 18							50	24	-			47										
MN 24	MNN 24	14	40	24	8	10	8.5	46.4	15	-	40	15	43.4	-	28	M3	4.5	8	3.5	4	4.75	3.9	
	MNNL 24							58.9	28	-			55.9										
MN 42	MNN 42	16	60	42	9	12	9.5	55.7	20	-	40	15	42.7	23	45	M4	4.5	8	4.5	5	5.5	4.9	
	MNNL 42							73.7	35	-			70.7										



Loading capacities are calculated values, based on DIN 636-2  
 $C_0$  = static loading capacity  
 $C$  = dynamic loading capacity (100 km)  
 $M_0$  = static moment  
 $M$  = dynamic moment (100 km)

**Type: 42**



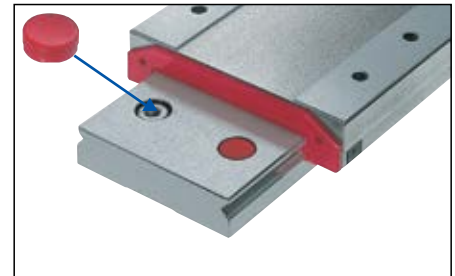
	Loading capacities		Moments				Weights	
	$C_0$ (N)	$C$ (N)	$M_{0Q}$ (Nm)	$M_{0L}$ (Nm)	$M_Q$ (Nm)	$M_L$ (Nm)	Carriage (g)	Rail (g/m)
	935	645	3.4	1.6	2.3	1.1	9	216
	1560	925	5.6	4.3	3.3	2.5	13	
	2340	1230	8.4	9.3	4.4	4.9	18	
	3275	1550	11.8	17.4	5.6	8.2	23	
	1385	1040	6.5	2.8	2.8	4.8	16	309
	2770	1690	12.9	10.2	7.9	6.2	24	
	3880	2140	18.1	19.4	9.9	10.7	31	
	5270	2645	24.5	34.5	12.3	17.3	40	
	1735	1420	10.6	3.6	8.7	3	29	598
	3900	2510	23.8	16.3	15.3	10.4	47	
	5630	3240	34.4	32.9	19.8	18.9	63	
	7800	4070	47.6	61.1	24.8	31.9	81	
	3120	2435	23.7	9.4	18.5	7.3	56	996
	5620	3680	42.7	28.1	27.9	18.4	81	
	8740	5000	66.4	65.5	38.1	37.6	114	
	11855	6200	90.1	116.5	47.1	60.9	146	
	2340	1230	16.6	9.3	8.7	4.9	25	518
	3275	1550	23.3	17.4	11	8.2	33	
	3880	2140	35.5	19.4	19.6	10.7	47	915
	5270	2645	48.2	34.5	24.2	17.3	60	
	5630	3240	68.2	32.9	39.2	18.9	84	1473
	7800	4070	94.4	61.1	49.3	31.9	109	
	8110	4750	171.2	56.8	100.3	33.3	169	2828
	11855	6200	250.2	116.5	130.8	60.9	231	



**Accessories and options**

**Plastic plugs**

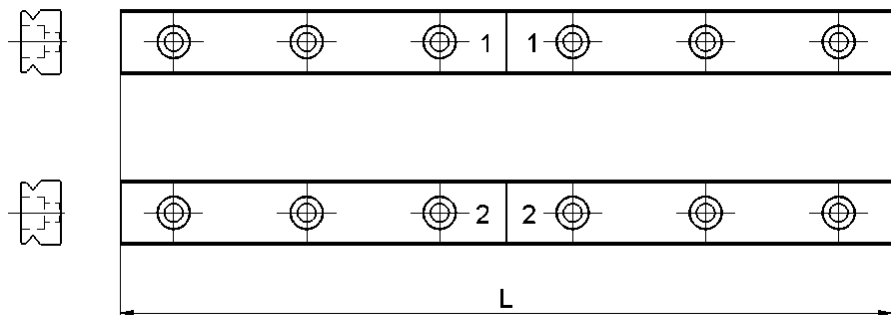
Plastic plugs can be used to close the rail attachment holes.



MINIRAIL Typ	Plastic plugs Typ	Plastic plugs can be combined with attaching screws of type		
		DIN 912	DIN 7984	DIN 7380
MN 7	MNK 4	-	-	X
MN 9	MNK 6	-	X	X
MN 12	MNK 6	X	X	X
MN 15	MNK 6	X	X	X
MN 14	MNK 6	-	X	X
MN 18	MNK 6	X	X	X
MN 24	MNK 8	-	X	X
MN 42	MNK 8	-	X	X

**Multi-section rails (ZG)**

Should the desired overall length of the rail exceed the maximum length specified in the brochure, some rails can be ground together. The offset between the individual guide rails does not exceed 0.002 mm. When assembling the guideways, the numbering at the junction must be observed.



**Dynamic loading capacity C**

The loading capacity values for anti-friction guideways are based on the principles specified by the ISO for calculation of rolling-contact bearings (DIN ISO 281).

Dynamic loading capacity is the loading which results in a nominal operational life corresponding to a translation distance of 100 000 m (100 km) provided that the loading due to mass and direction is unchanged and the line of influence acts vertically on the rolling-contact bearing unit.

Other suppliers often indicate their loading capacities for a translation distance of 50 000 m (50 km). These values according to JIS standard are above the values according to DIN ISO. The recalculation of the loading capacities is done as follows:

$$C_{50} = 1.26 \cdot C_{100}$$

**Operational life calculation**

The nominal calculated operational life L for the equivalent force P and a dynamic loading capacity C is:

$$L = (C/P)^3 \cdot 10^5 \text{ m} \qquad L = \text{nominal life (m)}$$

**Operational life calculation in hours**

$$L_h = \frac{L}{2 \cdot s \cdot n \cdot 60} = \frac{L}{60 \cdot v_m}$$

$L_h$  = nominal life (h)  
 $s$  = stroke length (m)  
 $n$  = stroke frequency (min<sup>-1</sup>)  
 $v_m$  = average traversing speed (m/min)

**Tightening torques for rails  
and carriages**

**Tightening torques for fastening screws DIN 912,  $\mu$  0,125 (12,9)  
and DIN 912,  $\mu$  0,2 (A2-70)**

Strengthclass	max. tightening torques [Nm]		
	M2	M3	M4
12.9	0.6	2.1	5.0
A2-70	0.3	1.1	2.6

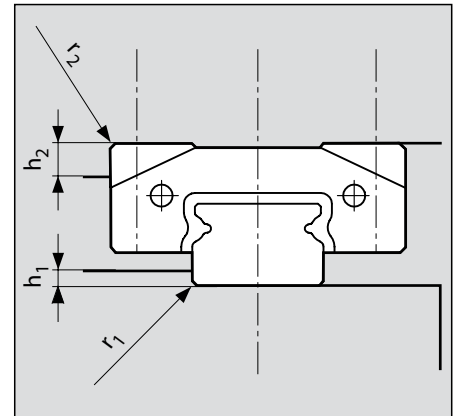
**Notes**

When the screws are greased with grease containing MoS<sub>2</sub> the friction coefficient  $\mu$  can be reduced by as much as half. As the tightening torques required to reach the maximum permissible tightening force depend on the friction coefficient, they must be reduced accordingly. The values can be obtained from the screw manufacturer's information or from the specialist literature. If necessary, carry out tests to determine the actual friction coefficient.

Refer to the screw manufacturer's information. This is always binding.

**Configuration of the lateral locating sides**

The corners between the support and locating surfaces of the surrounding structure are normally provided with a relief groove. However, if no relief groove is provided, then the dimensions tabulated below must be maintained.



Size	$h_1$	$r_1$ max	$r_2$ max	$h_2$
<b>7</b>	1.2	0.2	0.3	2.5
<b>9</b>	1.5	0.3	0.4	3
<b>12</b>	2.5	0.4	0.4	4
<b>15</b>	3.5	0.5	0.5	5
<b>14</b>	1.8	0.2	0.4	2
<b>18</b>	3	0.3	0.5	3
<b>24</b>	3.5	0.4	0.5	4
<b>42</b>	3.5	0.5	0.6	5

**Configuration of assembly surfaces**

MINIRAIL advantages can only be achieved when mounted to a rigid, accurately machined structure.

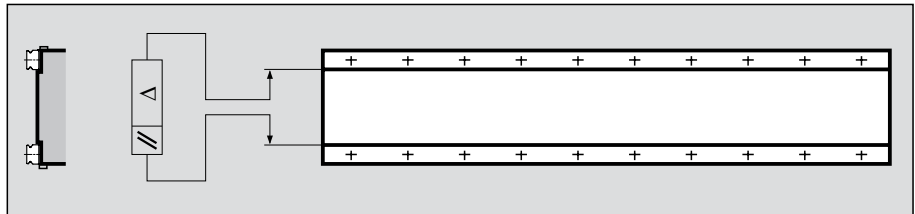
A roughness average ratio of  $R_a$  0.4 to 1.6  $\mu\text{m}$  is recommended for support and locating surfaces.

Inaccuracies of the attachment surfaces are partially compensated by the elastic deformation of the MINIRAIL. However, they may affect overall accuracy, running behavior and operational life.



**Parallelism tolerances of the locating surfaces**

Permissible tolerances for the parallelism



Tolerances for preload class (mm)				
	7 / 14	9 / 18	12 / 24	15 / 42
<b>V0</b>	0.003	0.005	0.008	0.01
<b>V1</b>	0.002	0.003	0.004	0.005

**Mounting instructions**

The installation of the MINIRAIL guideways is described in detail in the separate **Mounting Instructions MINIRAIL** and can be downloaded from [www.schneeberger.com](http://www.schneeberger.com) at menu DOWNLOADS.

**As delivered condition**

MINIRAIL are delivered in protective packaging. The carriages are mounted on a plastic rail and slightly oiled for immediate operation.



**Transportation and intermediate storage**

MINIRAIL are highly precise components, which have to be treated with care. As a protection against damage, the following instructions should be followed:

- Always store and transport MINIRAIL in their original packaging.
- Protect the guideways against impacts and dampness/humidity.

## Ordering information MINIRAIL

The MINIRAIL carriage and rail must be ordered as separate items.

		Ordering example:	___	MNN	12	-G3
<b>Carriage</b>						
Quantity	___					
Carriage type	<b>MNNS**, MNN, MNNL, MNNXL**</b>					
Size	<b>7, 9, 12, 15, 14, 18, 24, 42</b>					
Accuracy class	<b>G1, G3</b>					

\*\* Not available for sizes 14, 18, 24 and 42

		Ordering example:	___	MN	9	-155	-7.5	-7.5	-G1	-V1	-ZG
<b>Rail</b>											
Quantity	___										
Rail type	<b>MN</b>										
Size	<b>7, 9, 12, 15, 14, 18, 24, 42</b>										
Rail length	<b>L<sub>3</sub></b> (in mm)										
Starting hole pitch	<b>L<sub>5</sub></b> (in mm)*										
End hole pitch	<b>L<sub>10</sub></b> (in mm)*										
Accuracy class	<b>G1, G3</b>										
Preload class	<b>V0, V1</b>										
Multi-part rails	<b>ZG</b>										

\* Indicate only if special pitch

### Accessories

		Ordering example:	___	MNW
<b>Re-lubrication set</b>				
Quantity	___			
Type	<b>MNW</b>			

		Ordering example:	___	MNK	6
<b>Plastic plugs</b>					
Quantity	___				
Type	<b>MNK</b>				
Size	<b>4, 6, 8</b>				



## SCHNEEBERGER AGENCIES

### EUROPE

#### AUSTRIA

Locations of  
HaberKorn GmbH  
Antriebstechnik in:

1030 Wien  
Phone +43 1 74074 - 0  
Fax +43 1 74074 - 99  
E-Mail: info.wien@haberkorn.com

6961 Wolfurt  
Phone +43 5574 695 - 0  
Fax +43 5574 695 - 99  
E-Mail: info.wolfurt@haberkorn.com

6063 Innsbruck  
Phone +43 512 244 00 - 0  
Fax +43 512 244 00 - 99  
E-Mail: info.innsbruck@haberkorn.com

4060 Leonding  
Phone +43 7229 687 - 0  
Fax +43 7229 687 - 99  
E-Mail: info.leonding@haberkorn.com

9500 Villach  
Phone +43 4242 42038 - 0  
Fax +43 4242 42038 - 99  
E-Mail: info.villach@haberkorn.com

8055 Graz  
Phone +43 316 287 082 - 0  
Fax +43 316 287 082 - 99  
E-Mail: info.graz@haberkorn.com

#### BOSNIA-HERZEGOVINA/SLOVENIA/ SERBIA/MONTENEGRO

HaberKorn d.o.o.  
Vodovodna ul. 7  
2000 Maribor  
Phone +386 2 320 67 10  
Fax +386 2 320 67 30  
E-Mail: info@haberkorn.si

#### BULGARIA

Atlas Technik EOOD  
Hippodroma, Bl. 139B, Eing. A, App. 6  
1612 Sofia, PK 51  
Bulgarien  
Phone +359 2 859 76 81  
Fax +359 2 859 76 81  
Mobile +359 8 852 32 595  
E-Mail: al\_popoff@techno-link.com

#### CROATIA

HaberKorn CRO d.o.o.  
10431 Sveta Nedelja  
Phone +385 1 333 5870  
Fax +385 1 337 3902  
E-Mail: info@haberkorn.hr

#### DENMARK

HERSTAD + PIPER A/S  
Jernholmen 48c  
2650 Hvidovre  
Phone +45 367 740 00  
Fax +45 367 777 40  
E-Mail: mail@herstad-piper.dk

#### FINLAND

EIE Maskin OY  
PL, 80 Asematie 1  
10601 Tammisaari  
Phone +358 192 239 100  
Fax +358 192 239 199  
E-Mail: info@eie.fi

#### FRANCE

Axmo Précision  
ZL de la Moirerie  
Rue du Roussillon  
91222 Brétigny sur Orge  
Phone +33 160 849 075  
Fax +33 160 853 155  
E-Mail: info@axmo.fr

### EUROPE

#### GERMANY/BOSNIA-HERZEGOVINA/ CROATIA/SERBIA/SLOVENIA

BGP-Blazevic Geradlinige Präzisionstechnik  
Stipo Blazevic  
Hochstiftstrasse 31  
93055 Regensburg  
Phone +49 941 569 996 20  
Fax +49 941 569 950 97  
Mobile +49 151 401 126 25  
E-Mail: info@bgp-blazevic.de

#### GREAT BRITAIN

LG Motion Ltd.  
Unit 1 Telford Road  
Houndmills Estate, Basingstoke  
Hampshire RG21 6YU  
Phone +44 012 563 656 00  
Fax +44 012 563 656 45  
E-Mail: info@lg-motion.co.uk

#### ITALY

Nadella S.r.l.  
Via Melette, 16  
20128 Milano  
Phone +39 022 709 329 7  
Fax +39 022 551 768  
E-Mail: customer.service@nadella.it

#### NORWAY

Elmeko AS (s. EIE Maskin)  
Tvetenveien 164  
0671 Oslo  
Phone +47 675 722 70  
Fax +47 675 722 80  
E-Mail: elmeko@elmeko.no

#### POLAND

TECHNIKA LINIOWA  
Rollico Rolling Components  
Ul. Cegielniana 21  
42-700 Lubliniec  
Phone +48 343 510 430  
Fax +48 343 510 431  
E-Mail: rollico@rollico.com

#### RUMANIA

Meximpex SRL  
4, Burebista Blvd.,  
bl. D13 sc. A et 2 ap. 9-10  
031108 Bucharest  
Phone +40 213 166 843 /44  
Fax +40 213 166 846  
E-Mail: office@meximpex.ro

#### SLOVAKIA

KBM, s.r.o.  
Juraj Hajovsky  
Zitná 13  
010 04 Zilina  
Phone +421 417 070 324  
Fax +421 417 070 333  
Mobile +421 090 585 146 5  
E-Mail: jhajovsky@kbm.sk

#### SWEDEN

EIE Maskin AB  
Box 7  
12421 Bandhagen  
Phone +46 87 278 800  
Fax +46 87 278 899  
E-Mail: eie@eie.se

#### TURKEY

Birlik Rulman (Paz.ltd.sti.)  
Mumhane Cad. No: 16  
80030 Karakoy-Istanbul  
Phone +90 212 249 54 95  
Fax +90 212 244 21 40  
E-Mail: birlik@birlikrulman.com

### AUSTRALIA/NEw ZEALAND

RJM Engineering Supplies  
Tamar Street 13  
VIC 3134 Ringwood  
Phone +61 398 794 881  
Fax +61 398 793 700  
E-Mail: rjmeng@rjmeng.com.au

### ASIA

#### TAIWAN / Republic of China

Ever Bright Precisiton Ltd.  
1 F,nr.52  
Lane 10 Chi-hu Road  
114 Taipei  
Phone +886 226 595 586  
Fax +886 226 595 587  
E-Mail: sales@everbright.com.tw

#### KOREA

Intech Automation Inc.  
1-1108, Ace Hitech City  
55-20 Mullaee-Dong 3-Ga  
Youngdeungpo-Ku  
150-972 Seoul  
Phone +82 2 3439 0070 - 4  
Fax +82 2 3439 0080  
E-Mail: intech@intechautomation.co.kr

Liato Korea Inc.  
12-15, Moonhyung-Ri,  
Opo-Eup  
Kwangjuo-City  
464-894 Kyonggi-Do  
Phone +82 317 661 434 /6  
Fax +82 317 661 438  
E-Mail: info@liato.co.kr

LuBo Industries, Inc.  
#7-9,Songdo-dong,  
Yeonsu-gu  
Incheon, Korea  
(Namdong Ind, Zone 71B-13L)  
Phone +82 327 220 243  
Fax +82 327 220 198  
E-Mail: vf3510@jedainc.com

### SOUTH AFRICA

Fischli & Fuhrmann Ltd.  
P.O Box 253  
1600 Isando Transvaal  
Phone +27 119 745 571  
Fax +27 119 745 574  
E-Mail: info@ffu.co.za

### SOUTH AMERICA

Ibatech Tecnologia Ltda.  
Av. Amazonas, 976  
90240 542 Porto Alegre RS  
Brazil  
Phone +55 513 337 14 81  
Fax +55 513 337 52 65  
E-Mail: ibacorp@iba-corp.com

## PROSPECTUSES

- AUTOMATION
- COMPANY BROCHURE
- CUSTOMIZED BEARINGS
- GEAR RACKS
- Linear bearings AND Recirculating units
- MINERAL CASTING SCHNEEBERGER
- MINIRAIL the miniature guideway
- MINISCALE miniature guideway with integrated measuring system
- MINISLIDE micro frictionless tables
- MONORAIL AND AMS profiled linear guideways with integrated measuring system
- MONORAIL AND AMS application catalog
- POSITIONING SYSTEMS
- SLIDES



## SCHNEEBERGER COMPANIES

### SWITZERLAND

SCHNEEBERGER AG  
St. Urbanstrasse 12  
4914 Roggwil/BE

Phone +41 62 918 41 11  
Fax +41 62 918 41 00

E-Mail:  
info-ch@schneeburger.com

### JAPAN

Nippon SCHNEEBERGER K.K.  
Shimouma Miyagawa Bld 4F  
1-49-12 Shimouma  
154-0002 Tokyo

Phone +81 3 5779 7339  
Fax +81 3 3487 6010

E-Mail:  
info-j@schneeburger.com

### JAPAN

日本シュネーベルガー株式会社  
〒154-0002  
東京都世田谷区下馬1-49-12  
下馬MIYAGAWAビル  
1階(ショースペース) 4階(営業部)

電話 03 5779 7339  
ファクス 03 3487 6010

Eメール:  
info-j@schneeburger.com

### GERMANY

SCHNEEBERGER GmbH  
Gräfenau  
75339 Höfen/Enz

Phone +49 7081 782 0  
Fax +49 7081 782 124

E-Mail:  
info-d@schneeburger.com

### CHINA

SCHNEEBERGER (Shanghai) Co.,  
Ltd.  
Rm 606, Shang Gao International  
Building  
No. 137 XianXia Road  
200051 Shanghai

Phone +86 21 6209 0027  
Fax +86 21 6209 0102

E-Mail:  
info-cn@schneeburger.com

### CHINA

施耐博格(上海)传动技术有限  
公司  
上海市长宁区  
仙霞路137号盛高国  
际大厦606室, 上海 200051

电话 +86 21 6209 0027  
传真 +86 21 6209 0102

邮箱:  
info-cn@schneeburger.com

### ITALY

SCHNEEBERGER S.r.l.  
Via Soldani 10  
21021 Angera (VA)

Phone +39 0331 93 20 10  
Fax +39 0331 93 16 55

E-Mail:  
info-i@schneeburger.com

### KOREA

SCHNEEBERGER Korea LTD  
POSCO Center Bldg  
West Tower 11<sup>th</sup> FL  
892 Daech 4-Dong  
Kangnam-gu  
135-777 Seoul

Phone +82 2 559 073 5  
Fax +82 2 442 297 1

E-Mail:  
info-kr@schneeburger.com

### KOREA

슈니베르코리아 유한 회사  
서울특별시 강남구 대치4동  
892 포스코센터빌딩 서관 11층  
1134호

전화 +82 2 559 073 5  
팩스 +82 2 442 297 1

이메일:  
info-kr@schneeburger.com

### USA

SCHNEEBERGER Inc.  
11 DeAngelo Drive  
Bedford, MA 01730

Phone +1 781 271 01 40  
Fax +1 781 275 47 49

E-Mail:  
info-usa@schneeburger.com

### SINGAPORE

SCHNEEBERGER LINEAR  
TECHNOLOGY PTE. Ltd.  
160 Paya Lebar Road, #05-04  
Orion Industrial Building  
409022 Singapore

Phone + 65 6841 2385  
Fax + 65 6841 3408

E-Mail:  
info-sg@schneeburger.com

### INDIA

SCHNEEBERGER India Private Limited  
Dhannur, 2nd Floor 15 Sir P M  
Road, Fort  
400 001 Mumbai

Phone +91 22 2263 2372  
Fax +91 22 2263 2371

E-Mail:  
info-in@schneeburger.com

## SCHNEEBERGER MINERAL CASTING

### CZECH REPUBLIC

SCHNEEBERGER  
Mineralgusstechnik s.r.o  
Prumyslový park 32/20  
350 02 Cheb – Dolní Dvory

Phone +420 354 400 941  
Fax +420 354 400 940

E-Mail:  
info-mineralguss@schneeburger.com

### CHINA

SCHNEEBERGER Changzhou  
Precision Systems Co. Ltd.  
137 Hanjiang Road  
Changzhou New district  
213000 Changzhou, Jiangsu

Phone +86 519 8988 3938  
Fax +86 519 8988 5115

E-Mail:  
info-mineralcasting@schneeburger.com

### CHINA

施耐博格(常州)测试系统有限公司  
汉江路137, 常州新区, 常州213022

电话 +86 519 8988 3938  
传真 +86 519 8988 5115

邮箱:  
info-mineralcasting@schneeburger.com

## SCHNEEBERGER SALES DEPARTMENTS

### AUSTRIA

Mobile +43 676 935 1035

E-Mail:  
info-a@schneeburger.com

### ISRAEL

Mobile +972 5 0551 7920

E-Mail:  
info-il@schneeburger.com

### BENELUX

Mobile +31 6 5326 3929

E-Mail:  
info-nl@schneeburger.com

### POLAND, SLOVAKIA, CZECH REPUBLIC

Mobile +420 6 0278 4077

E-Mail:  
info-cz@schneeburger.com

### DENMARK, SWEDEN

Mobile +31 6 5326 3929

E-Mail:  
info-nl@schneeburger.com

### RUSSIA, BELARUS, UKRAINE

Mobile +7 985 960 85 53  
Mobile +38 050 407 6789  
Mobile +37 529 860 0410

E-Mail:  
info-ru@schneeburger.com

### FRANCE

Mobile +33 6 0941 6269

E-Mail:  
info-f@schneeburger.com

### SPAIN, PORTUGAL

Mobile +34 629 918 302

E-Mail:  
info-es@schneeburger.com

### GREAT BRITIAN

Mobile +44 77 8814 5645

E-Mail:  
info-uk@schneeburger.com

